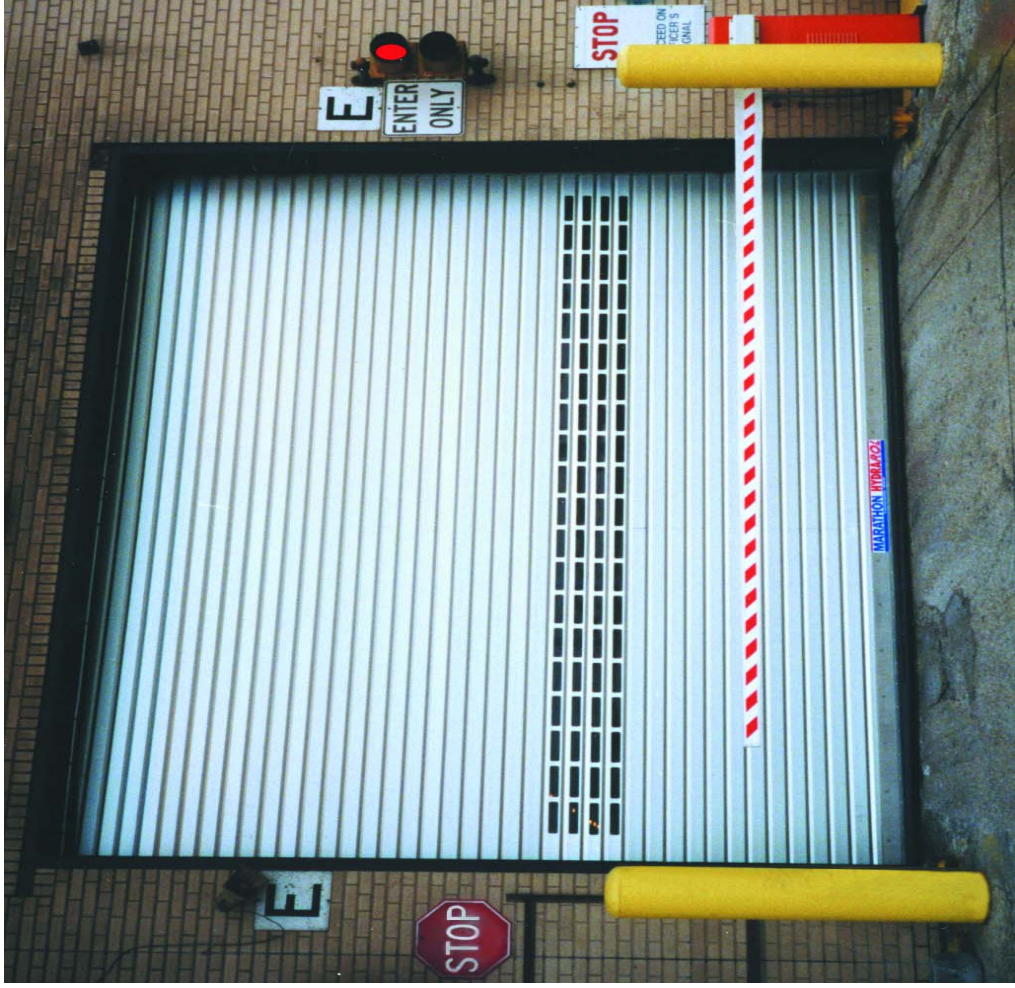


HYDRAROL™

High Speed Rigid Roll-Up Door
Hydraulic Drive Operation

Data Sheet

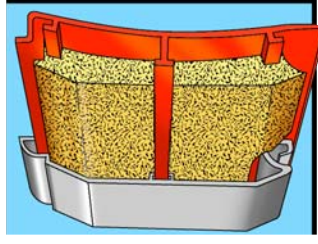
Model 109



Shown with Optional Window Slats



Hydraulic Drive

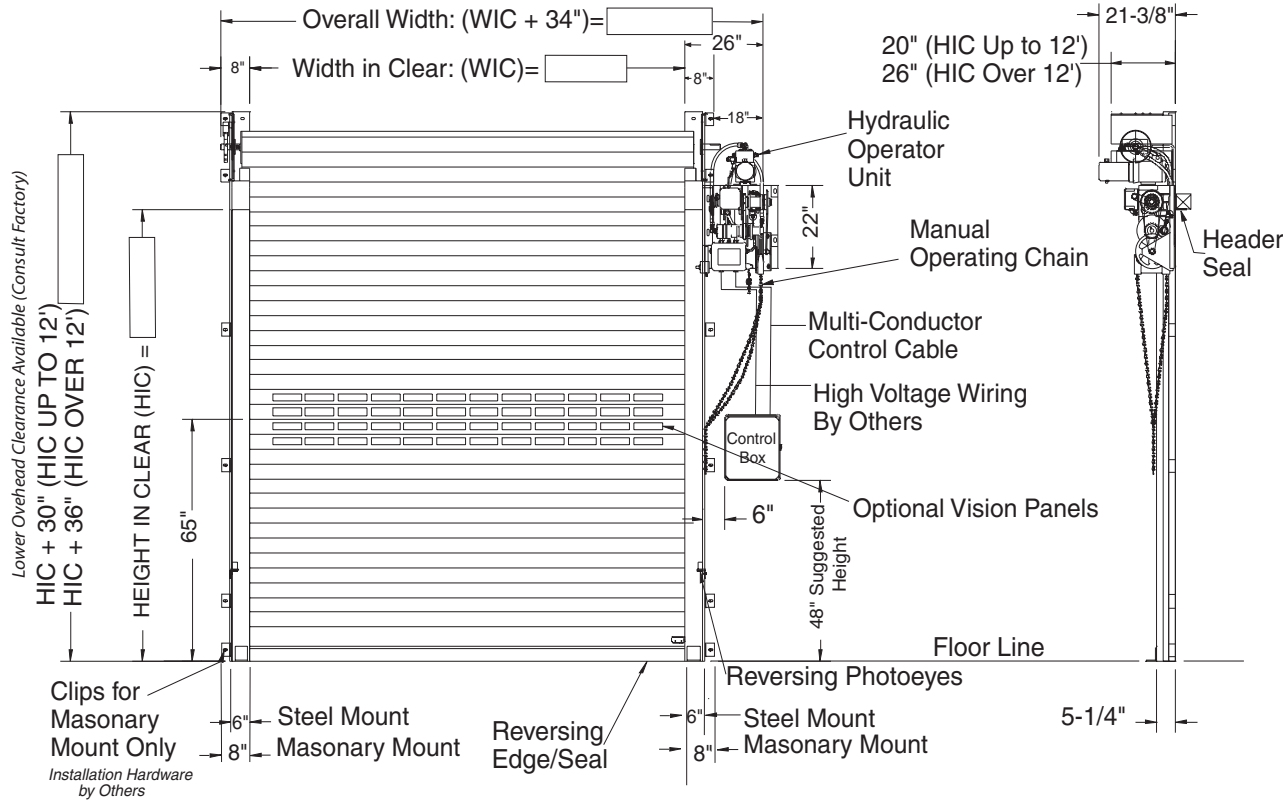


Insulated Slats

FEATURES

- Two speed roll-up door offering up to a 42"/sec. opening capability.
- Patented, long life hydraulic operator.
- Two doors in one, high speed for quick access and high strength for security.
- Unitized, interlocking slats with anodized aluminum exterior, shock absorbing PVC interior surface and dense polyurethane foam insulation.
- PLC control panel.
- Electric reversing edge.
- Send and receive reversing photoeyes.
- Fully weathersealed.
- Five year limited warranty on hydraulic operator components.
- Alternate drive systems available.





DESIGN AND CONSTRUCTION

(Door designed for vehicular traffic.)

DOOR SIZES

- Min: 8' x 8'.
 - Max: 26'w. x 23' h.
- (Other sizes available -Consult factory.)

PANEL CONSTRUCTION

- Unitized design.
- Exterior face constructed of anodized aluminum.
- Interior face constructed of rigid PVC.

OPERATION

- PLC control panel.
 - 2 speed operation
open- up to 42"/sec.
close-21"/sec.
- (Other operations available, consult factory.)

HYDRAULIC SYSTEM

- High output hydraulic pump driven by 1 h.p. or 2 h.p. totally enclosed motor.
- High torque hydraulic motor.
- High pressure hydraulic hoses.
- NEMA 4 fiberglass control box.

PERFORMANCE FEATURES

- Reversing edge for instant stop/reverse.
- Manual chain override.
- (2) send and receive reversing photoeyes.

INSULATION

- Poured polyurethane foam rated R8.
- "K" factor of .12 at 75°F.

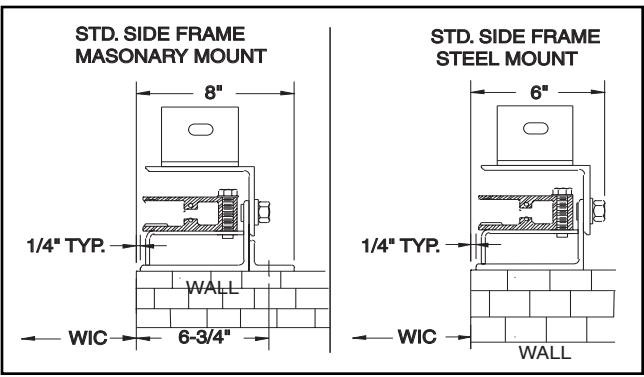
WARRANTY

- Five year limited warranty on hydraulic operator components.
- One year limited warranty on all other components.

OPTIONS

- Activation Devices:
- Pull cord.
 - Single push button.
 - Photoeye.
 - Radio control.
 - Loop detector.
 - Motion detector.
 - Pre-announce to close kit (light/alarm/or combo).

- Adjustable time delay close with auto close feature.
- Front mounted operator, or custom operator location available.
- Window slats in 4 slat increments. (Custom window configurations available.)
- Operator and barrel shrouds.
- Custom colors.



For complete Architectural Specifications contact ASI or visit www.asidoors.com

